



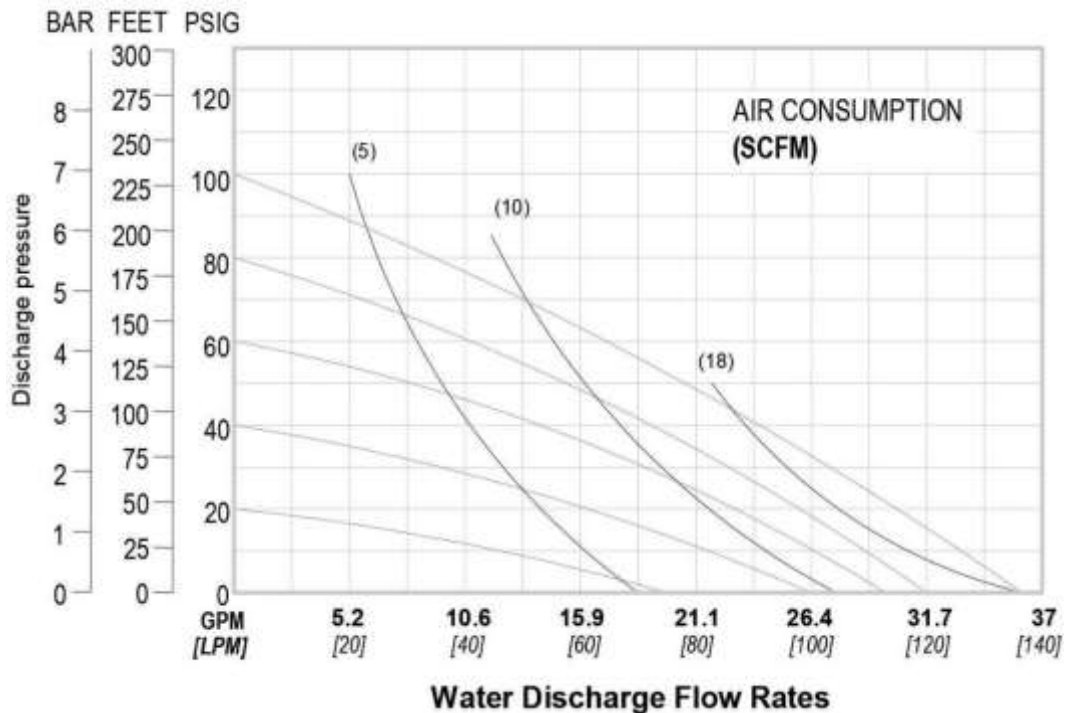
AIR OPERATED DOUBLE DIAPHRAGM PUMP

SECTION 1 – NOMENCLATURE

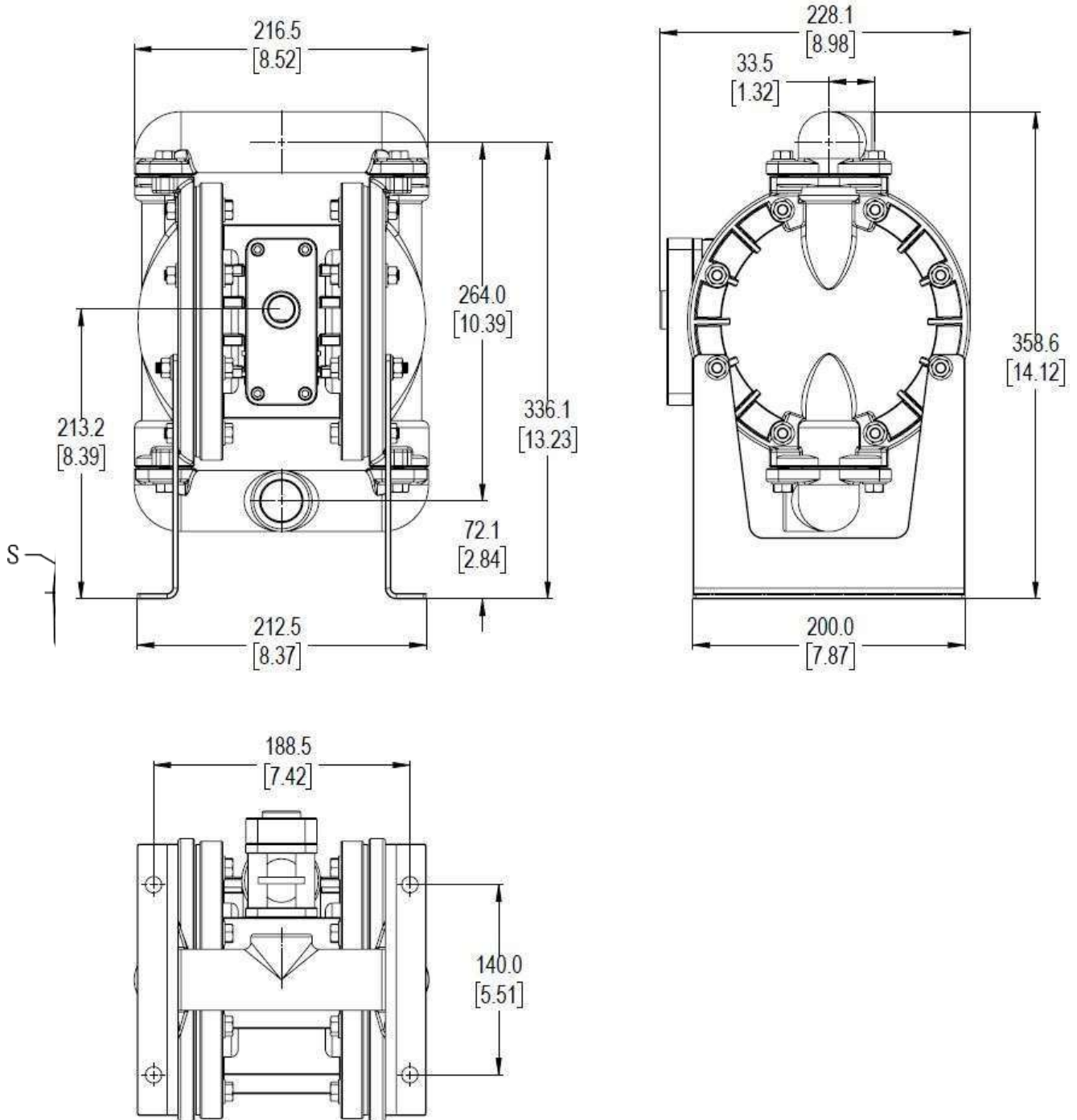
| | |
|--------------------------------|--|
| Max Flow rate | : 135Lpm |
| Port Size | : Inlet : 25.40mm (1" BSP) Discharge : 25.40mm (1" BSP) Air Inlet : 1/4" BSP Air Exhaust : 12.70mm (1/2" BSP) |
| Suction Lift | : Dry : 3.05m (10') Wet : 4.89m (16') |
| Teflon | : Dry : 2.14m (7') Wet : 3.98m (13') |
| Max Particle Size (Dia) | : 3.17mm (0.125") |
| Diaphragm | : Teflon, <u>Santoprene</u> , Buna |



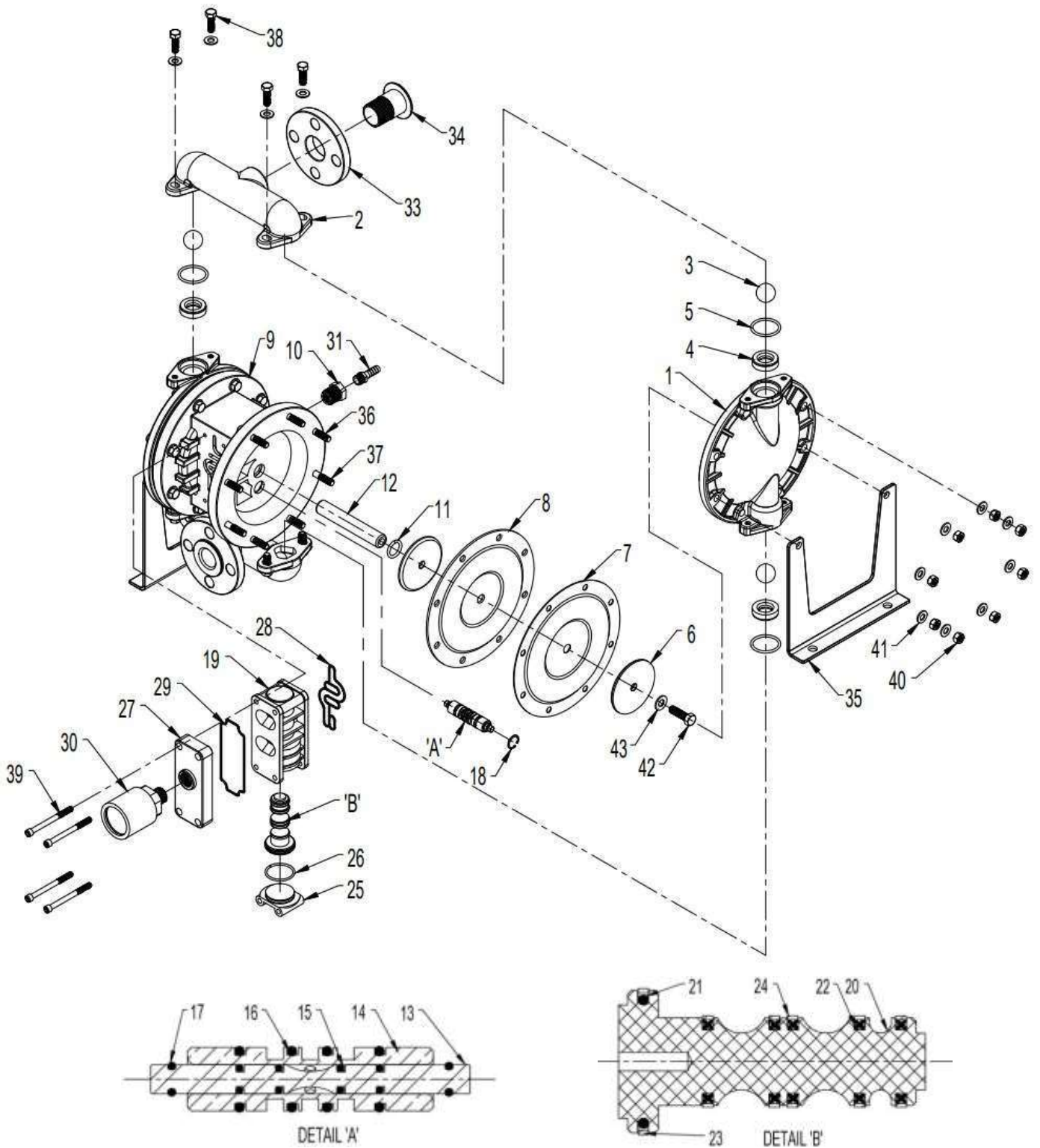
SECTION 2 – FLOW CURVES



SECTION 3 – DIMENSIONS DRAWING



SECTION 4 – PUMP VIEW



SECTION 5 – SPARE PART LIST

| SR No. | DISCRIPTION | PART No | QTY |
|---------------|----------------------------|----------------|------------|
| 1 | LIQUID CHAMBER | 30-1001-03 | 2 |
| 2 | SUCTION/DISCHARGE MANIFOLD | 30-1021-03 | 2 |
| 3 | NRV BALL | 30-1042-55 | 4 |
| 4 | BALL SEAT | 30-1075-03 | 4 |
| 5 | SEAT O RING | 30-3101-55 | 4 |
| 6 | HOLDING PLATE/LOCK NUT | 30-1112-03 | 4 |
| 7 | DIAPHRAGM | 30-2001-55 | 2 |
| 8 | BACK UP DIAPHRAGM | 30-2102-65 | 2 |
| 9 | CENTER BLOCK | 30-1301-23 | 1 |
| 10 | REDUCER | 15-1376-21 | 1 |
| 11 | CENTER BLOCK O RING | 30-3155-56 | 2 |
| 12 | MAIN SHAFT | 30-1341-03 | 1 |
| 13 | PILOT SHAFT | 30-1451-03 | 1 |
| 14 | PILOT BUSH | 30-1471-07 | 1 |
| 15 | PILOT SHAFT O RING | 15-3176-56 | 4 |
| 16 | PILOT BUSH O RING | 15-3161-51 | 4 |
| 17 | PILOT SHAFT LOCK O RING | 40-3181-51 | 2 |
| 18 | PILOT BUSH CIRCLIP | 15-1496-61 | 2 |
| SR No. | DISCRIPTION | PART No | QTY |
| 19 | PISTON BLOCK | 15-1501-20 | 1 |
| 20 | PISTON PVC | 15-1521-69 | 1 |
| 21 | PISTON O RING BIG | 15-3201-51 | 1 |
| 22 | PISTON O RING SMALL | 15-3221-51 | 5 |
| 23 | PISTON RING BIG | 15-3241-68 | 1 |
| 24 | PISTON RING SMALL | 15-3246-68 | 5 |
| 25 | PISTON BLOCK CAP | 15-1571-20 | 1 |
| 26 | PISTON BLOCK CAP O RING | 15-3266-51 | 1 |



| | | | |
|----|---|------------|----|
| 27 | PISTON BLOCK COVER | 15-1561-20 | 1 |
| 28 | PISTON BLOCK GASKET | 15-3321-51 | 1 |
| 29 | PISTON BLOCK COVER GASKET | 15-3331-51 | 1 |
| 30 | EXHAUST | 15-1366-23 | 1 |
| 31 | AIR NIPPLE | 15-1371-07 | 1 |
| 32 | HOSE NIPPLE | N/A | - |
| 33 | FLANGE | 30-1384-03 | 2 |
| 34 | STUB END | 30-1387-03 | 2 |
| 35 | STAND | 30-1389-61 | 2 |
| 36 | 5/16" X 1 3/4" HEX BOLTS SS (CHAMBER BOLTS SMALL) | 04-6030-03 | 12 |
| 37 | 5/16" X 2" HEX BOLTS SS (CHAMBER BOLTS BIG) | 04-6032-03 | 4 |
| 38 | 5/16" X 1" HEX BOLTS SS (SUC/DIS) | 04-6027-03 | 8 |
| 39 | 1/4" X 3" ALLEN BOLTS MS (PISTON BLOCK) | 04-6003-61 | 4 |
| 40 | 5/16 MS HEX NUT | 04-6305-61 | 16 |
| 41 | 5/16 X 20 X 2 MM SS WASHER | 04-6216-03 | 40 |
| 42 | 3/8 X 1 1/4" BSW HEX BOLT (LOCK NUT) | 04-6016-03 | 2 |
| 43 | 3/8" WAHSER (LOCK NUT) | 04-6206-03 | 2 |